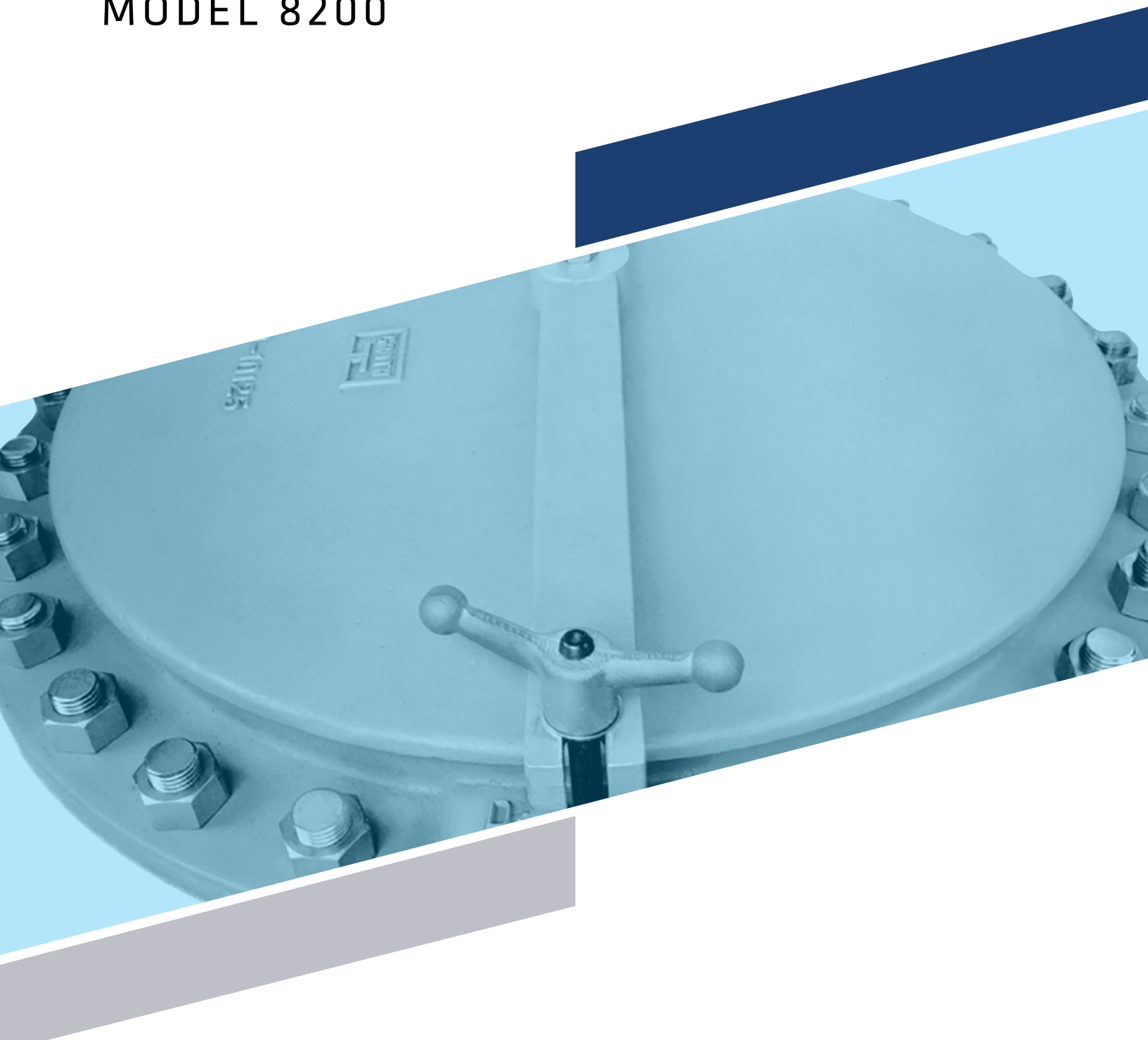




ROOF MANHOLE COVER

MODEL 8200



MODEL 8200

The Groth Model 8200 Roof Manhole Cover is used when quick and easy access is desired. It is generally placed on digester covers or roofs. It is required in most cases by insurance underwriters to be non-sparking and gas tight. The seal is provided by a Buna-N diaphragm and the load is distributed evenly around the seat by design. The Model 8200 incorporates a positive cover lockdown which assures a premium seal on digester tanks with internal pressures up to 1 psig.

Technical Details

- Size: 20" (DN 500), 24" (DN600), 30" (DN750), and 36" (DN900)
- Material: Aluminum

Features

- Easy to open and seal
- Non-sparking and gas tight
- Meets most insurance underwriters requirements
- ATEX Certified

Options

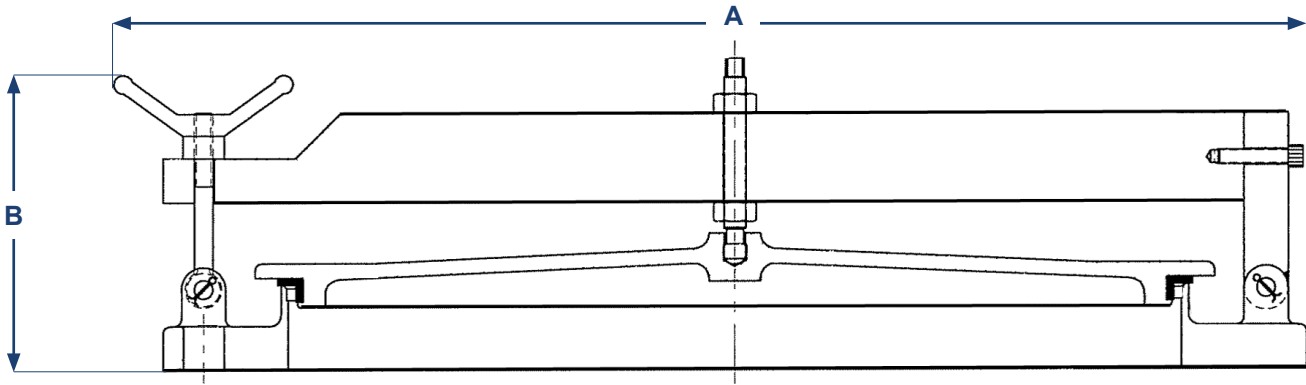
- Larger sizes available, consult the factory



SPECIFICATIONS

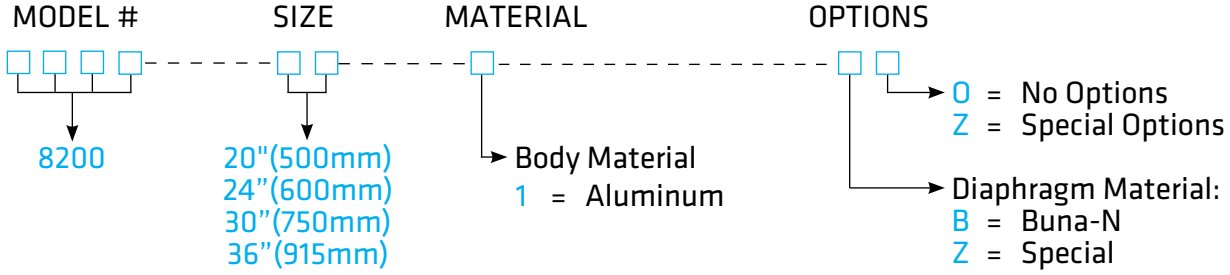
Size 150# ASME Inches (mm)	A Width Inches (mm)	B Height Inches (mm)	Approx Ship. Weight Lbs.(kg)
20 (500)	29.50 (749)	9.38 (238)	125 (57)
24 (600)	32.75 (832)	9.38 (238)	200 (91)
30 (750)	40.38 (1026)	9.38 (238)	250 (114)
36 (915)	47.75 (1213)	9.38 (238)	400 (182)

F.F. on aluminum and R.F. on carbon steel and stainless steel alloys.
 Specifications subject to change without notice.
 Certified dimensions available upon request.



HOW TO ORDER

For easy ordering, select proper model numbers



NOTES

- Include model number and setting when ordering
- For special options, consult factory

EXAMPLE

8 2 0 0 — 2 4 — 1 — B 0

Indicates a 24" Model 8200 with an aluminum body, Buna-N diaphragm and no special option.



GROTHCORP.COM